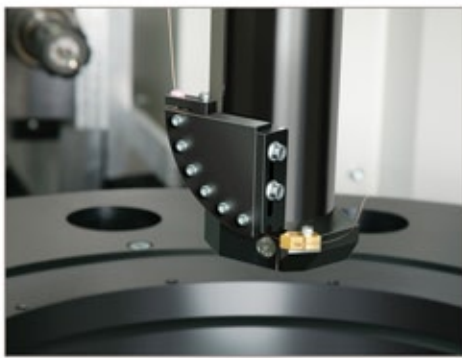


PATENTED WIRE LAYING FOR ELECTROFUSION FITTINGS

VWL 400





## SPECIFICATIONS

### TYPICAL FITTING CAPACITY

**Sockets/Couplers**  
180 to 560mm I/D\*

**Elbows**  
125 to 200mm I/D

**Tees (Equal)**  
125 to 200mm I/D

**Reducers**  
180 to 400mm I/D

\*450-560 couplers produced with manual end clamp fixtures, subject to part design.

### TECHNICAL DATA

**Spindle Speed**  
0 to 1100 rpm

**Cross Slide Travel (X-axis)**  
430mm

**Vertical Slide Travel (Z-axis)**  
620mm

**Maximum Fixture Swing**  
750mm

**Maximum Power Consumption**  
50kW

**Continuous Spindle Motor Power**  
30kW

**Width (W)** 2475mm

**Height (H)** 3200mm

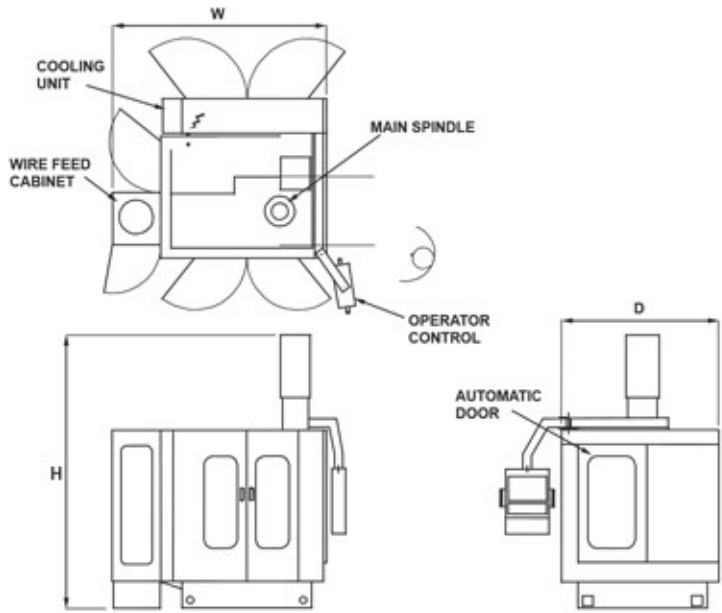
**Depth (D)** 2000mm

**Weight** 4500Kg

The **VWL 400** is a vertical format, 3-axis, CNC controlled electrofusion wire laying machine, designed for the wire laying of **medium to large** fittings or pipe sections.

The machine is equipped with software dedicated to producing fittings in the range **125 to 400mm** internal diameter. Smaller fittings (minimum diameter 63mm) can be produced as a special requirement.

A 2-axis CNC Drilling Unit is available as an optional extra (to give 5 axes in total). The unit can be used for drilling fusion indicators during the wire laying cycle, or for drilling terminal holes during the external profiling cycle.



PROCESS & EQUIPMENT PROTECTED BY PATENTS: EP1042108 | E215874 | P19813732-8 | 2,312,374 | ZL98812630.3 | 215588 | 136,935 | 2000-526336 | 10-0616469 | 220759 | P341526 | ES217365773 | 04/2320 | US 6,530,139 B1 | US 6,751,840 B2 | US 7,069,637 B2 | PCT/GB2008/050487 | 08290385 | 57411 | P4527278



MSA ENGINEERING SYSTEMS LIMITED, 3 Assured Drive, Thurmaston, Leicester, LE4 8BB, United Kingdom  
 phone +44 (0)116 260 8866 | fax +44 (0)116 260 8861 | sales@msa-engineering.co.uk | www.msa-engineering.co.uk  
 Registered Office: 12 Shibden Hall Croft, Shibden Hall Road, Halifax, W. Yorkshire, HX3 9XF, UK | Registered No. 2636196 England